



# Service Manual / Manuel de Service

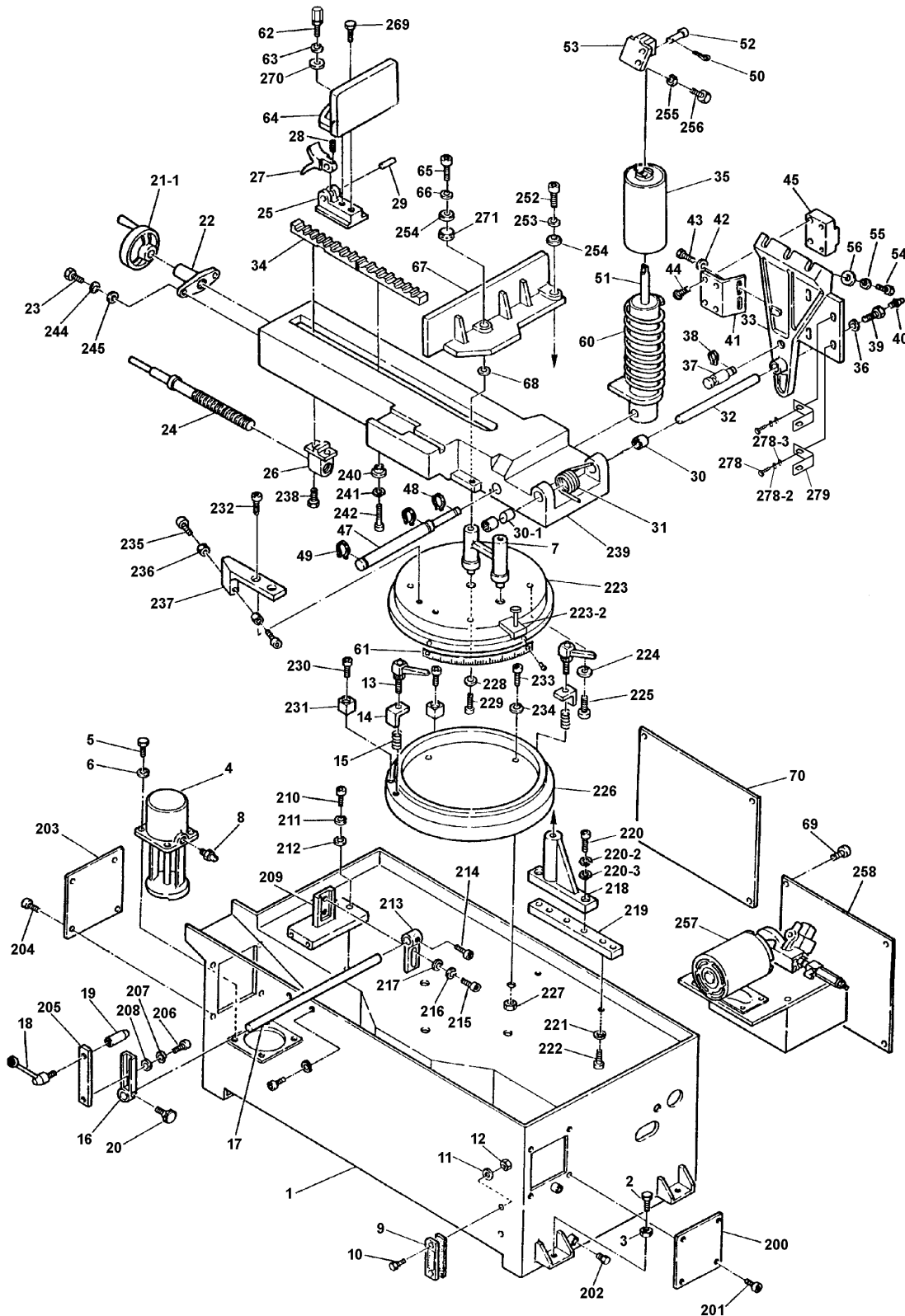
9" x 18" Metal Cutting Mitering Bandsaw  
Scie à Ruban à Onglets Pivotante pour Métal 9" x 18"



Revised/Revisé 08/2008

## Base Diagram / Diagramme de la Base

# KC-918S-V





# Service Manual / Manuel de Service

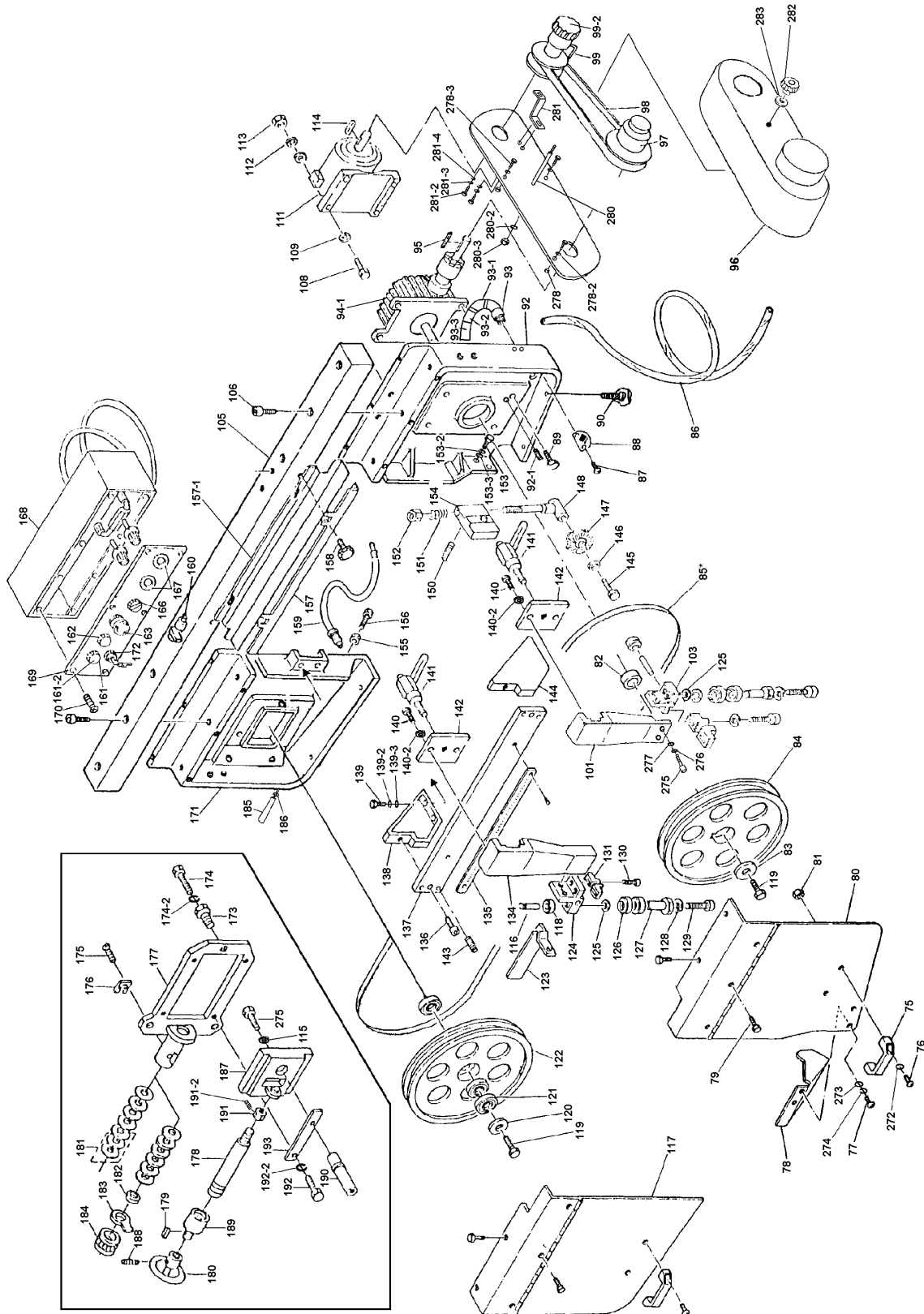
9" x 18" Metal Cutting Mitering Bandsaw  
Scie à Ruban à Onglets Pivotante pour Métal 9" x 18"



Revised/Revisé 08/2008

## Head Diagram / Diagramme de la Tête

# KC-918S-V





# Service Manual / Manuel de Service

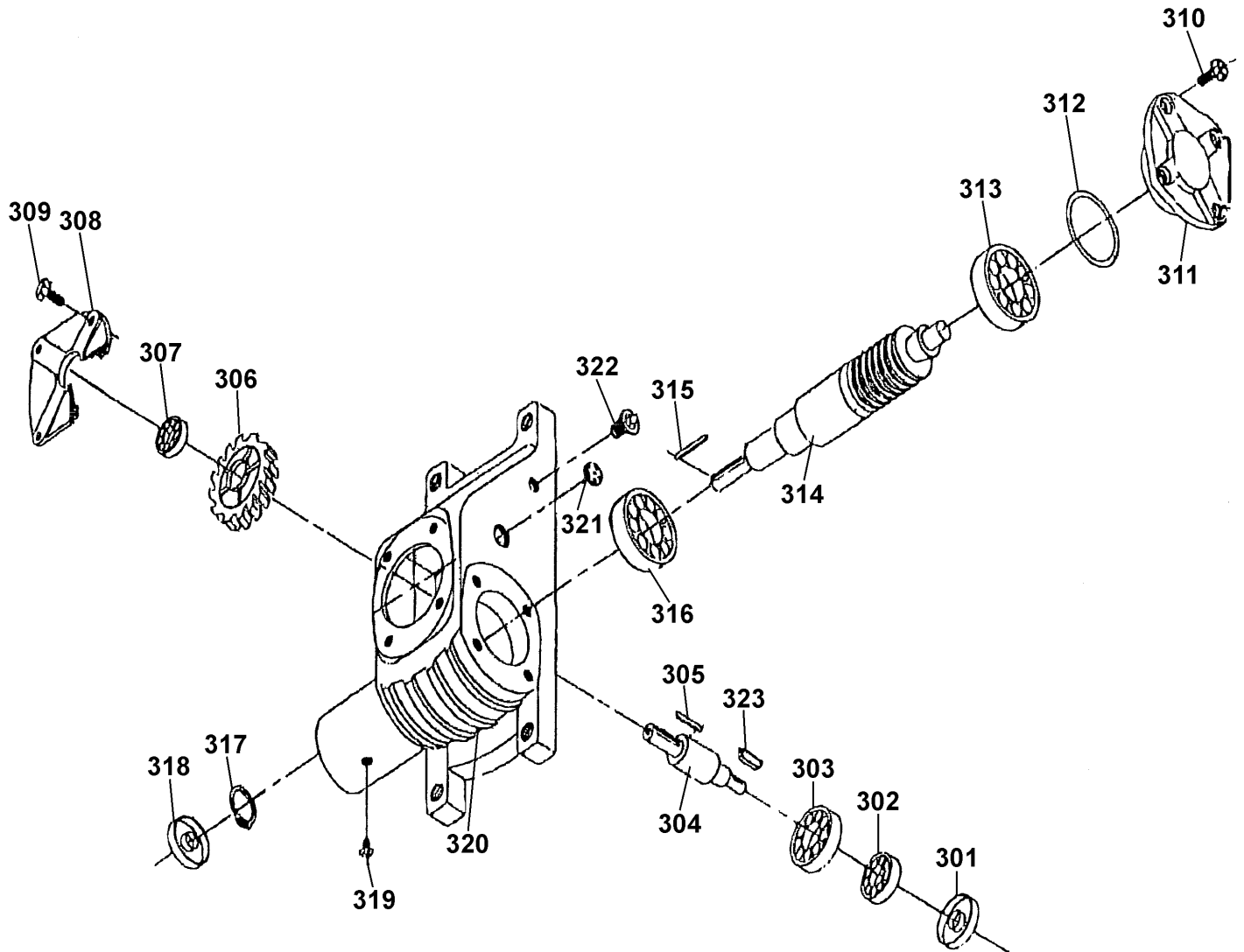
9" x 18" Metal Cutting Mitering Bandsaw  
Scie à Ruban à Onglets Pivotante pour Métal 9" x 18"



Revised/Revisé 08/2008

## Gear Box Diagram / Diagramme du Boîtier D'Engrenage

### KC-918S-V





# Service Manual / Manuel de Service

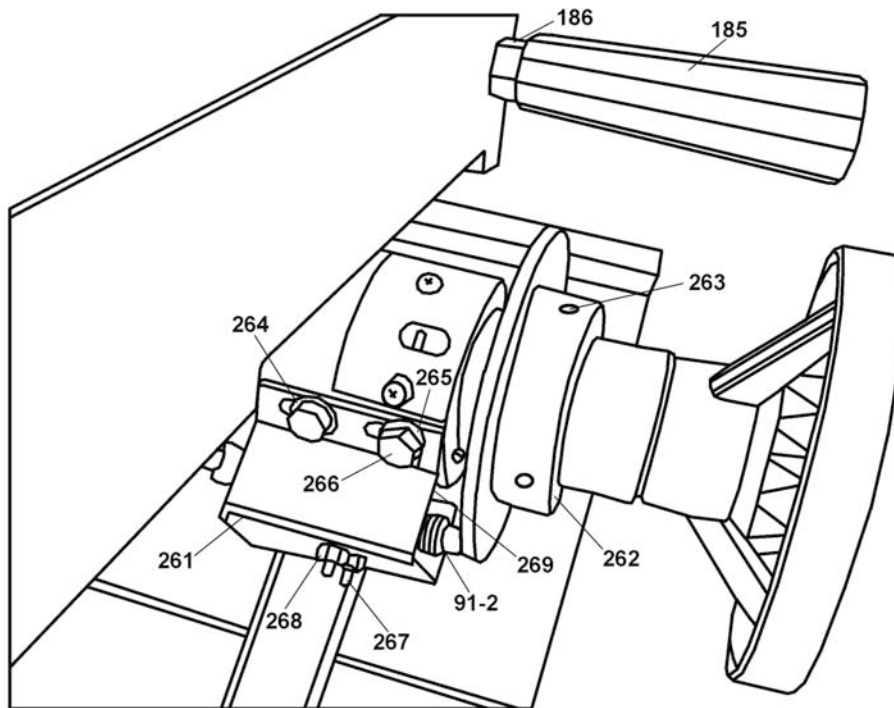
## 9" x 18" Metal Cutting Mitering Bandsaw Scie à Ruban à Onglets Pivotante pour Métal 9" x 18"



Revised/Revisé 08/2008

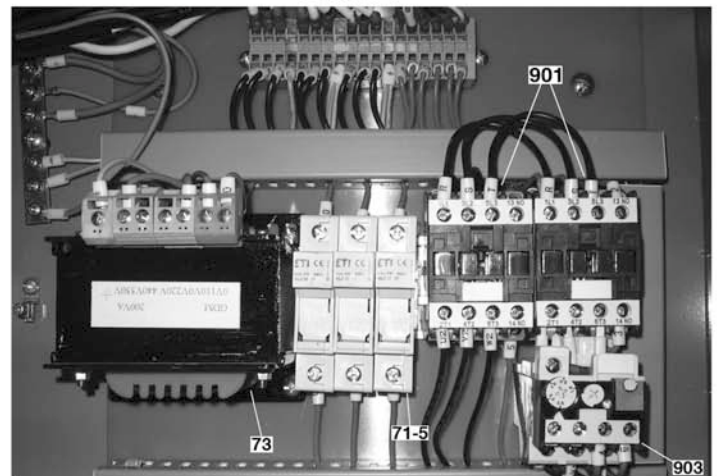
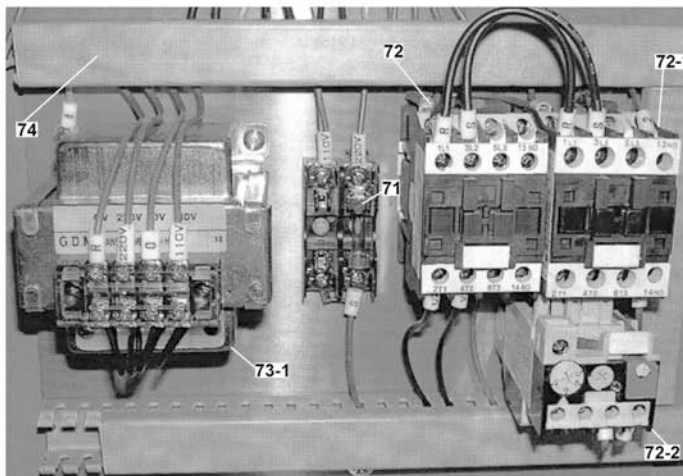
### Blade Tension System & Electrical Box Diagram / Diagramme du Système de Tension de la Lame et de la Boîte Électrique

# KC-918S-V



### 220V

### 550V





## ® Parts Pricing List / Liste de Prix des Pièces KC-918S-V

Diag.	Order # Com.	English Description	Description Française	Qty./Qté.	Price/Prix
1	3191800010	BASE	SOCLE	1	\$2,012.50
2	3191800020	HEX. BOLT	BOULON HEXAGONAL	4	\$2.93
3	3191800030	HEX. NUT	ECROU HEXAGONAL	4	\$1.78
4	3191800040	COOLANT PUMP (110/220V)	POMPE A LIQUIDE REFROID. (110/220V)	1	\$317.23
5	3191800050	PAN HD SCREW	VIS A TETE BOMBEE	4	\$2.24
6	3191800060	SPRING WASHER	RONDELLE A RESSORT	4	\$1.90
7	3191800070	FIXED VISE SHAFT	TIGE FIXE DE L'ETAU	2	\$80.44
8	3191800080	PUMP CONNECTION HEAD	CONNECTEUR POUR POMPE	1	\$6.84
9	3191800090	OIL GAUGE	JAUGE POUR L'HUILE	1	\$51.69
10	3191800100	HEX. BOLT	BOULON	2	\$2.01
11	3191800110	WASHER	RONDELLE	2	\$1.67
12	3191800120	HEX. NUT	ECROU HEXAGONAL	2	\$1.73
13	3191800130	ADJUSTABLE HANDLE	POIGNEE DE SERRAGE	2	\$34.44
14	3191800140	FIXED BLOCK	BLOC DE RETENU	2	\$11.44
15	3191800150	SPRING	RESSORT	2	\$6.84
16	3191800160	WORK STOP BRACKET	SUPPORT D'ARRET	1	\$21.68
17	3191800170	WORK STOP ROD	TIGE D'ARRET	1	\$34.44
18	3191800180	HANDLE	POIGNEE	1	\$20.64
19	3191800190	HANDLE BOLT	BOULON DE POIGNEE	1	\$13.74
20	3191800200	HANDLE	POIGNEE	1	\$8.45
21-1	3191800211	HANDWHEEL ASS'Y	MANIVELLE COMPLETE	1	\$68.94
22	3191800220	LEAD SCREW SEAT	SIEGE TIGE-VISSEE POUR L'ETAU	1	\$52.84
23	3191800230	HEX. BOLT	BOULON HEXAGONAL	2	\$1.90
24	3191800240	VICE LEAD SCREW	TIGE SANS FIN	1	\$114.71
25	3191800250	LEAD SCREW BRACKET	SUPPORT DE LA TIGE	1	\$74.69
26	3191800260	NUT BLOCK	ECROU CUBIQUE	1	\$34.21
27	3191800270	RACK BLOCK	ARRET DE LA CREMAILLIERE	1	\$34.44
28	3191800280	SET SCREW	VIS SANS TETE	1	\$1.55
29	3191800290	FIXED PIN	GOUPILLE	1	\$3.74
30	3191800300	NEEDLE BEARING	ROULEMENT A AIGUILLES	2	\$34.44
30-1	3191800301	BUSHING	BAGUE	1	\$5.69
31	3191800310	TORSION SPRING	RESSORT A COMPRESSION	1	\$25.24
32	3191800320	PIVOT SHAFT	TIGE DE PIVOTEMENT	1	\$45.71
33	3191800330	PIVOT BRACKET	SUPPORT DE PIVOT	1	\$189.69
34	3191800340	RACK	CREMAILLIERE	1	\$132.19
35	3191800350	SPRING COVER	PROTECTEUR DU RESSORT	1	\$51.46
36	3191800360	SPECIAL WASHER	RONDELLE SPECIALE	2	\$3.16
37	3191800370	TORSION SPRING SHAFT	TIGE DU RESSORT	1	\$20.53
38	3191800380	RETAINING RING/SHAFT	ANNEAU DE RETENU/TIGE	1	\$3.74
39	3191800390	SPECIAL BOLT	BOULON SPECIAL	2	\$3.97
40	3191800400	GREASE ADAPTOR	ADAPTATEUR POUR GRAISSAGE	2	\$3.39
41	3191800410	LIMIT SWITCH PLATE	PLAQUE DE L'INTERRUPTEUR D'ARRET	1	\$18.34
42	3191800420	WASHER	RONDELLE	2	\$1.61
43	3191800430	HEX. BOLT	BOULON HEXAGONAL	2	\$1.78
44	3191800440	HEX. BOLT	BOULON HEXAGONAL	4	\$1.67
45	3191800450	LIMIT SWITCH	INTERRUPTEUR D'ARRET	1	\$86.19
47	3191800470	CYLINDER PIN	GOUPILLE DU CYLINDRE	1	\$80.44

Pricing subject to change without prior notice. / Prix sujet à changement sans préavis.



## ® Parts Pricing List / Liste de Prix des Pièces KC-918S-V

Diag.	Order # Com.	English Description	Description Française	Qty./Qté.	Price/Prix
48	3191800480	RETAINING RING/SHAFT	ANNEAU DE RETENU/TIGE	1	\$2.24
49	3191800490	RETAINING RING/SHAFT	ANNEAU DE RETENU/TIGE	2	\$2.36
50	3191800500	COTTER PIN	GOUPILLE FENDUE	1	\$1.90
51	3191800510	HYDRAULIC CYLINDER ASS'Y	CYLINDRE COMPLET	1	\$684.25
52	3191800520	PIN FOR CYLINDER TOP	GOUPILLE DU HAUT DU CYLINDRE	1	\$14.89
53	3191800530	HYDRAULIC MOUNTING BLOCK	BLOCK DE RETENU DU CYLINDRE HYDR.	1	\$34.44
54	3191800540	HEX. BOLT	BOULON HEXAGONAL	3	\$2.70
55	3191800550	SPRING WASHER	RONDELLE A RESSORT	3	\$1.78
56	3191800560	SPECIAL WASHER	RONDELLE SPECIALE	3	\$3.05
60	3191800600	SPRING	RESSORT	1	\$110.11
61	3191800610	ANGLE SCALE	ECHELLE D'ANGLE	1	\$9.14
62	3191800620	SPECIAL HEX. BOLT	BOULON HEXAGONAL SPECIAL	1	\$4.43
63	3191800630	SPRING WASHER	RONDELLE RESSORT	2	\$1.78
64	3191800640	WISE JAW LEFT	MACHOIRE GAUCHE	1	\$97.69
65	3191800650	CAP SCREW	BOULON A TETE CYLINDRIQUE	1	\$2.82
66	3191800660	SPRING WASHER	RONDELLE A RESSORT	1	\$1.78
67	3191800670	WISE JAW RIGHT	MACHOIRE DROITE	1	\$178.25
68	3191800680	WASHER	RONDELLE	1	\$4.54
69	3191800690	CAP SCREW	BOULON A TETE CYLINDRIQUE	4	\$1.67
70	3191800700	ELECTRIC CABINET DOOR	PORTE DU BOITIER ELECTRIQUE	1	\$66.64
71	3191800710	FUSE (3 AMPS - 220V)	FUSIBLE (3 AMPS - 220V)	1	\$17.19
71-5	3191800715	FUSE (550V)	FUSIBLE (550V)	1	\$79.18
72	3191800720	PUMP CONTACTOR (220V, 110V COIL)	CONTACTEUR/POMPE (BOB. 220V, 110V)	1	\$195.44
72-1	3191800721	MOTOR CONTACTOR (220V, 110V COIL)	CONTACT./MOTEUR (BOB. 220V, 110V)	1	\$212.75
72-2	3191800722	OVERLOAD	RELAIS DE SURCHARGE	1	\$112.64
73	3191800730	TRANSFORMER (550V TO 110V)	TRANSFORMEUR (550V A 110V)	1	\$224.25
73-1	3191800731	TRANSFORMER (220V TO 110V)	TRANSFORMATEUR (220V A 110V)	1	\$218.21
74	3191800740	ELECTRIC BAR (18 CONNECTIONS)	BORNIER ELECTRIQUE (18 BORNES)	1	\$68.94
75	3191800750	HANDLE	POIGNEE	2	\$11.44
76	3191800760	PAN HD SCREW	VIS A TETE BOMBEE	4	\$1.67
77	3191800770	HEX. BOLT	BOULON HEXAGONAL	2	\$1.67
78	3191800780	WIRE BRUSH GUARD	PROTECTEUR DE LA BROUSSE	1	\$15.81
79	3191800790	ROUND HD ALLEN SCREW	VIS A TETE RONDE ALLEN	10	\$2.01
80	3191800800	BLADE WHEEL COVER RIGHT	COUVERCLE DE LA ROUE DROITE	1	\$91.94
81	3191800810	HEX. NUT	ECROU HEXAGONAL	4	\$1.67
82	3191800820	BUSHING	ESPACEUR	1	\$6.73
83	3191800830	SPECIAL WASHER	RONDELLE SPECIALE	1	\$4.54
84	3191800840	DRIVE WHEEL	ROUE DE COMMANDEMENT	1	\$212.75
85	KBB-918	BLADE	LAME	1	-
86	3191800860	REINFORCED HOSE KIT	ENSEMBLE DE BOYAU RENFORCE	1	\$26.39
87	3191800870	PAN HD SCREW	VIS	2	\$1.55
88	3191800880	SCREEN	FILTRE	1	\$6.61
89	3191800890	HEX. BOLT	BOULON HEXAGONAL	4	\$2.24
90	3191800900	KNOB	BOUTON	4	\$6.84
91-2	3191800912	LIMIT SWITCH	INTERRUPTEUR D'ARRET	1	\$57.44
92	3191800920	BLADE WHEEL BOX RIGHT	BOITIER DE LA ROUE DROITE	1	\$488.75
92-1	3191800921	SET SCREW	VIS SANS TETE	1	\$2.24

Pricing subject to change without prior notice. / Prix sujet à changement sans préavis.



## ® Parts Pricing List / Liste de Prix des Pièces KC-918S-V

Diag.	Order # Com.	English Description	Description Française	Qty./Qté.	Price/Prix
93	3191800930	CONNECTOR	CONNECTEUR	1	\$5.69
93-1	3191800931	PIPE FITTING	RACCORD DE TUYAU	1	\$9.83
93-2	3191800932	CONNECTOR	CONNECTEUR	1	\$9.14
93-3	3191800933	HOSE	BOYAU	1	\$6.73
94-1	3191800941	GEAR BOX ASS'Y	BOITE D'ENGRENAGE COMPLETE	1	\$1,029.25
95	3191800950	KEY	CLE DE RETENUE	1	\$2.82
96	3191800960	PULLEY COVER	COUVERCLE DE POULIE	1	\$224.25
97	3191800970	GEAR BOX PULLEY	POULIE D'ENGRENAGE	1	\$339.25
98	3191800980	TOOTH BELT	COURROIE DENTELEE	1	\$151.51
99	3191800990	COMP. VARIABLE SPEED PULLEY	POULIE DE VITESSE VARIABLE COMP.	1	\$534.75
99-2	3191800992	BLACK END KNOB	BOUTON NOIR DU TENSIONNEUR	1	\$134.49
101	3191801010	ADJUSTABLE BRACKET MOUNT REAR	SUPPORT AJUSTABLE ARRIERE	1	\$132.19
103	3191801030	RIGHT GUIDE BRACKET	GUIDE DU SUPPORT DROIT	1	\$86.19
105	3191801050	COLUMN	COLONNE	1	\$212.75
106	3191801060	CAP SCREW	BOULON A TETE CYLINDRIQUE	6	\$2.13
108	3191801080	HEX. BOLT	BOULON HEXAGONAL	4	\$2.07
109	3191801090	WASHER	RONDELLE	8	\$1.67
111	3191801110	MOTOR (220V)	MOTEUR (220V)	1	\$741.75
112	3191801120	SPRING WASHER	RONDELLE A RESSORT	4	\$1.67
113	3191801130	HEX. NUT	ECROU HEXAGONAL	4	\$1.61
114	3191801140	KEY	CLE DE RETENUE	1	\$2.82
115	3191801150	SPRING WASHER	RONDELLE SPECIALE	1	\$3.05
116	3191801160	CAP SCREW	BOULON A TETE CYLINDRIQUE	2	\$1.84
117	3191801170	BLADE WHEEL COVER LEFT	COUVERCLE DE LA ROUE GAUCHE	1	\$91.94
118	3191801180	BALL BEARING	ROULEMENT A BILLES	2	\$13.74
119	3191801190	HEX. BOLT	BOULON HEXAGONAL	2	\$2.13
120	3191801200	SPECIAL WASHER	RONDELLE SPECIALE	1	\$3.74
121	3191801210	BEARING	ROULEMENT A BILLES	3	\$33.29
122	3191801220	IDLER WHEEL	ROUE DU HAUT	1	\$212.75
123	3191801230	BLADE GUARD	PROTECTEUR DE LAME	1	\$74.69
124	3191801240	GUIDE BRACKET LEFT	GUIDE DU SUPPORT GAUCHE	1	\$103.44
125	3191801250	WASHER	RONDELLE	4	\$1.78
126	3191801260	BALL BEARING	ROULEMENT A BILLES	8	\$11.10
127	3191801270	ECCENTRIC SLEEVE	BAGUE EXCENTRIQUE	4	\$45.94
128	3191801280	SPRING WASHER	RONDELLE A RESSORT	4	\$1.67
129	3191801290	CAP SCREW	BOULON A TETE CYLINDRIQUE	4	\$2.93
130	3191801300	CAP SCREW	BOULON A TETE CYLINDRIQUE	4	\$2.76
131	3191801310	CARBIDE BLADE GUIDE SET (2)	JEU GUIDE-LAME/CARBURE (2)	1	\$98.61
134	3191801340	FRONT ADJUST. BRACKET MOUNT	SUPPORT D'AJUSTEMENT AVANT	1	\$132.19
135	3191801350	ANGLE SCALE	ECELLE D'ANGLE	1	\$34.44
136	3191801360	CAP SCREW	BOULON A TETE CYLINDRIQUE	2	\$1.96
137	3191801370	STEEL SLIDE	COULISSEMENT EN ACIER	1	\$183.94
138	3191801380	BLADE BRACKET	SUPPORT DE LAME	1	\$72.39
139	3191801390	HEX. BOLT	BOULON HEXAGONAL	4	\$2.19
139-2	3191801392	SPRING WASHER	RONDELLE RESSORT	4	\$1.78
139-3	3191801393	WASHER	RONDELLE	4	\$1.90
140	3191801400	HEX. BOLT	BOULON HEXAGONAL	4	\$1.84

Pricing subject to change without prior notice. / Prix sujet à changement sans préavis.



## ® Parts Pricing List / Liste de Prix des Pièces KC-918S-V

Diag.	Order # Com.	English Description	Description Française	Qty./Qté.	Price/Prix
140-2	3191801402	SPRING WASHER	RONDELLE RESSORT	4	\$1.67
141	3191801410	ADJUSTABLE HANDLE	POIGNEE DE VEROUILLAGE	2	\$34.44
142	3191801420	STATIONNARY PLATE	PLAQUE STATIONNAIRE	2	\$17.19
143	3191801430	SET SCREW	VIS SANS TETE	4	\$2.01
144	3191801440	BLADE BRACKET RIGHT	SUPPORT DE LAME DROIT	1	\$72.39
145	3191801450	HEX. BOLT	BOULON HEXAGONAL	1	\$1.67
146	3191801460	WASHER	RONDELLE	1	\$1.55
147	3191801470	WIRE BRUSH	BROSSE RONDE EN LAITON	1	\$45.83
148	3191801480	WIRE BRUSH ROD	TIGE DE LA BROSSE	1	\$34.44
150	3191801500	SET SCREW	VIS SANS TETE	1	\$1.55
151	3191801510	COMPRESSION SPRING	RESSORT A COMPRESSION	1	\$3.97
152	3191801520	HEX. NUT	ECROU HEXAGONAL	1	\$1.73
153	3191801530	CAP SCREW	BOULON A TETE CYLINDRIQUE	1	\$2.24
153-2	3191801532	SPRING WASHER	RONDELLE RESSORT	1	\$1.67
153-3	3191801533	WASHER	RONDELLE	1	\$1.61
154	3191801540	WIRE BRUSH BRACKET	SUPPORT DE LA BROSSE	1	\$27.54
155	3191801550	HEX. NUT	ECROU HEXAGONAL	1	\$1.78
156	3191801560	BUMPER	AMORTISSEUR	1	\$4.31
157	3191801570	BLADE GUARD	PROTECTEUR DE LAME	1	\$57.44
157-1	3191801571	BLADE GUARD DOWN	PROTECTEUR DE LAME DU BAS	1	\$63.19
158	3191801580	KNOB	BOUTON	2	\$6.84
159	3191801590	FLEXIBLE TUBING KIT	ENSEMBLE BOYAU FLEXIBLE	1	\$38.53
160	3191801600	ADJUSTABLE VALVE	VALVE D'AJUSTEMENT	2	\$28.69
161	3191801610	ELECTRIC LAMP (RED)	LAMPE ELECTRIQUE (ROUGE)	1	\$39.10
161-2	3191801612	BULB ONLY	AMPOULE SEULEMENT	1	\$2.30
162	3191801620	START BUTTON (GREEN)	INTERRUPTEUR DE MARCHE (VERT)	1	\$43.64
163	3191801630	EMERGENCY SAFETY SWITCH	INTERRUPTEUR ARRET D'URGENCE	1	\$61.93
166	3191801660	PUMP SWITCH	INTERRUPTEUR DE LA POMPE	1	\$45.94
167	3191801670	FEED CONTROL VALVE WITH KNOBS	VALVE DE CONTROLE DU CYLINDRE	1	\$211.14
168	3191801680	CONTROL BOX	BOITE DE CONTROLE	1	\$132.25
169	3191801690	CONTROL PANEL	COUVERCLE DE LA BOITE	1	\$68.94
170	3191801700	PAN HD SCREW	VIS A TETE BOMBEE	8	\$1.55
171	3191801710	WHEEL-BOX LEFT	BOITIER DE LA ROUE GAUCHE	1	\$477.25
172	3191801720	IGNITION SWITCH WITH KEYS	INTERRUPTEUR D'ALLUMAGE A/ CLES	1	\$57.33
173	3191801730	SPECIAL HEX. BOLT	BOULON HEXAGONAL SPECIALE	3	\$4.54
174	3191801740	HEX. BOLT	BOULON	3	\$2.59
174-2	3191801742	SPRING WASHER	RONDELLE RESSORT	1	\$1.55
175	3191801750	PAN HD SCREW	VIS A TETE BOMBEE	2	\$1.55
176	3191801760	SCALE	ECELLE	1	\$6.84
177	3191801770	SLIDE	GLISSIERE	1	\$143.69
178	3191801780	TENSION SHAFT	TIGE DE TENSION	1	\$63.19
179	3191801790	KEY	CLE DE RETENUE	1	\$1.90
180	3191801800	HANDWHEEL	VOLANT	1	\$68.94
181	3191801810	SPECIAL SPRING WASHER	RONDELLE SPECIALE	13	\$4.43
182	3191801820	FLAT STEEL WASHER	RONDELLE D'ACIER	1	\$3.74
183	3191801830	TENSION INDICATOR	INDICATEUR DE TENSION	1	\$6.50
184	3191801840	THRUST BEARING	ROULEMENT A BUTEE	1	\$76.88

Pricing subject to change without prior notice. / Prix sujet à changement sans préavis.





## ® Parts Pricing List / Liste de Prix des Pièces KC-918S-V

Diag.	Order # Com.	English Description	Description Française	Qty./Qté.	Price/Prix
185	3191801850	HANDLE	POIGNEE	1	\$10.29
186	3191801860	HEX. NUT	ECROU HEXAGONAL	1	\$1.78
187	3191801870	SLIDE BRACKET	SUPPORT COULISSANT	1	\$86.19
188	3191801880	SET SCREW	VIS SANS TETE	1	\$1.55
189	3191801890	EXTENSION BAR	TIGE D'EXTENSION	1	\$34.44
190	3191801900	BLADE WHEEL BRACKET SHAFT	TIGE DU SUPPORT DE ROUE	1	\$57.44
191	3191801910	SPECIAL HEX. NUT	ECROU HEXAGONAL SPECIAL	1	\$3.74
191-2	3191801912	SET SCREW	VIS SANS TETE	1	\$1.55
192	3191801920	CAP SCREW	BOULON A TETE CYLINDRIQUE	4	\$1.84
192-2	3191801922	SPRING WASHER	RONDELLE RESSORT	4	\$1.67
193	3191801930	GIB	GLISSIERE	2	\$34.44
200	3191802000	CLEANING LID	OUVERTURE POUR NETTOYAGE	1	\$13.74
201	3191802010	CAP SCREW	BOULON A TETE CYLINDRIQUE	4	\$1.67
202	3191802020	WATER PLUG	BOUCHON POUR L'EAU	1	\$4.08
203	3191802030	CLEANING LID	OUVERTURE POUR NETTOYAGE	1	\$13.74
204	3191802040	CAP SCREW	BOULON A TETE CYLINDRIQUE	4	\$1.67
205	3191802050	STRETCHING PLATE OF LENGTH	PLAQUE D'AJUSTEMENT	1	\$17.19
206	3191802060	HEX. BOLT	BOULON HEXAGONAL	1	\$2.19
207	3191802070	SPRING WASHER	RONDELLE A RESSORT	1	\$1.78
208	3191802080	WASHER	RONDELLE	1	\$1.90
209	3191802090	FIXED BLOCK OF LENGTH	SUPPORT DE RETENUE DE LONGUEUR	1	\$103.44
210	3191802100	HEX. BOLT	BOULON HEXAGONAL	3	\$1.78
211	3191802110	SPRING WASHER	RONDELLE A RESSORT	3	\$1.55
212	3191802120	WASHER	RONDELLE	3	\$1.55
213	3191802130	ROD FRAME OF LENGTH	CORPS DE LA TIGE DE LONGUEUR	1	\$40.19
214	3191802140	HEX. BOLT	BOULON HEXAGONAL	1	\$1.67
215	3191802150	HEX. BOLT	BOULON HEXAGONAL	1	\$2.01
216	3191802160	SPRING WASHER	RONDELLE A RESSORT	1	\$1.55
217	3191802170	WASHER	RONDELLE	1	\$1.84
218	3191802180	TRIANGLE BLOCK LEFT	SUPPORT DE GAUCHE TRIANGULAIRE	1	\$143.69
219	3191802190	LEFT FIXED VISE BASE BLOCK	SUPPORT DE FIXATION GAUCHE	1	\$74.69
220	3191802200	HEX. BOLT	BOULON HEXAGONAL	2	\$2.24
220-2	3191802202	SPRING WASHER	RONDELLE RESSORT	2	\$1.78
220-3	3191802203	WASHER	RONDELLE	2	\$1.90
221	3191802210	SPRING WASHER	RONDELLE A RESSORT	2	\$1.78
222	3191802220	HEX. BOLT	BOULON HEXAGONAL	2	\$2.24
223	3191802230	TOP DISC	DISQUE DU DESSUS	1	\$454.25
223-2	3191802232	BRACKET AND SHAFT ASS'Y	SUPPORT ET TIGE ASSEMBLE	1	\$57.44
224	3191802240	SPRING WASHER	RONDELLE A RESSORT	4	\$1.78
225	3191802250	HEX. BOLT	BOULON HEXAGONAL	4	\$2.30
226	3191802260	DISC BASE	DESSOUS DU DISQUE	1	\$488.75
227	3191802270	HEX. NUT	ECROU HEXAGONAL	4	\$1.78
228	3191802280	WASHER	RONDELLE	2	\$1.90
229	3191802290	SCREW	BOULON	2	\$3.16
230	3191802300	CAP SCREW	BOULON A TETE CYLINDRIQUE	2	\$2.01
231	3191802310	FIXED BLOCK (0-45 DEGREES)	CUBE D'ARRET (0-45 DEGRES)	2	\$11.44
232	3191802320	CAP SCREW	BOULON A TETE CYLINDRIQUE	2	\$2.01

Pricing subject to change without prior notice. / Prix sujet à changement sans préavis.



## ® Parts Pricing List / Liste de Prix des Pièces KC-918S-V

Diag.	Order # Com.	English Description	Description Française	Qty./Qté.	Price/Prix
233	3191802330	SCREW	BOULON	1	\$2.24
234	3191802340	SPRING WASHER	RONDELLE A RESSORT	1	\$1.78
235	3191802350	HEX. BOLT	BOULON HEXAGONAL	2	\$1.90
236	3191802360	HEX. NUT	ECROU HEXAGONAL	2	\$1.61
237	3191802370	ADJUSTABLE ROD BRACKET	SUPPORT DE LA TIGE D'AJUSTEMENT	1	\$37.89
238	3191802380	CAP SCREW	BOULON A TETE CYLINDRIQUE	2	\$1.73
239	3191802390	BED	LIT	1	\$971.75
240	3191802400	CUSHION	COUSSIN	1	\$4.31
241	3191802410	SPRING WASHER	RONDELLE A RESSORT	1	\$1.55
242	3191802420	CAP SCREW	BOULON A TETE CYLINDRIQUE	1	\$2.70
244	3191802440	SPRING WASHER	RONDELLE A RESSORT	2	\$1.67
245	3191802450	WASHER	RONDELLE	2	\$1.61
252	3191802520	CAP SCREW	BOULON A TETE CYLINDRIQUE	1	\$2.36
253	3191802530	SPRING WASHER	RONDELLE A RESSORT	1	\$1.78
254	3191802540	SPECIAL WASHER	RONDELLE SPECIALE	2	\$4.54
255	3191802550	SPRING WASHER	RONDELLE A RESSORT	2	\$1.55
256	3191802560	HEX. BOLT	BOULON HEXAGONAL	2	\$2.01
257	3191802570	HYDRAULIC PUMP SET	ENS. POMPE HYDRAULIQUE	1	\$1,604.25
258	3191802580	DOOR	PORTE	1	\$68.94
261	3191802610	TENSION LIMIT SWITCH BRACKET	SUPPORT DE L'INTERR. DE TENSION	1	\$10.29
262	3191802620	TENSION FLANGE	COLLET DE TENSION	1	\$34.44
263	3191802630	SET SCREW	VIS SANS TETE	2	\$2.01
264	3191802640	WASHER	RONDELLE	2	\$1.55
265	3191802650	SPRING WASHER	RONDELLE RESSORT	2	\$1.55
266	3191802660	HEX. BOLT	BOULON HEXAGONAL	2	\$1.67
267	3191802670	PAN HD SCREW	VIS A TETE BOMBEE	2	\$1.90
268	3191802680	HEX. NUT	ECROU HEXAGONAL	2	\$1.55
269	3191802690	HEX. BOLT	BOULON HEXAGONAL	1	\$2.24
270	3191802700	WASHER	RONDELLE	1	\$1.90
271	3191802710	THRUST BEARING	ROULEMENT A BUTEE	1	\$74.69
272	3191802720	WASHER	RONDELLE	4	\$1.55
273	3191802730	WASHER	RONDELLE	2	\$1.55
274	3191802740	SPRING WASHER	RONDELLE RESSORT	2	\$1.55
275	3191802750	CAP SCREW	BOULON A TETE CYLINDRIQUE	5	\$2.59
276	3191802760	SPRING WASHER	RONDELLE A RESSORT	4	\$1.67
277	3191802770	WASHER	RONDELLE	4	\$1.67
278	3191802780	HEX. BOLT	BOULON HEXAGONAL	5	\$1.67
278-2	3191802782	SPRING WASHER	RONDELLE RESSORT	5	\$1.67
278-3	3191802783	WASHER	RONDELLE	5	\$1.61
279	3191802790	PULLEY COVER REAR BRACKET	SUPPORT ARRIERE POUR COUV.	2	\$5.69
280	3191802800	THREADED STUD	TIGE FILETEE	1	\$5.69
280-2	3191802802	SPRING WASHER	RONDELLE A RESSORT	1	\$1.67
280-3	3191802803	HEX. NUT	ECROU HEXAGONAL	1	\$1.61
281	3191802810	VARIABLE SPEED PULLEY BRACKET	SUPPORT POUR POULIE A VITESSE VAR.	1	\$7.99
281-2	3191802812	HEX. BOLT	BOULON HEXAGONAL	2	\$1.67
281-3	3191802813	SPRING WASHER	RONDELLE A RESSORT	2	\$1.55
281-4	3191802814	WASHER	RONDELLE	2	\$1.55

Pricing subject to change without prior notice. / Prix sujet à changement sans préavis.



## ® Parts Pricing List / Liste de Prix des Pièces **KC-918S-V**

Diag.	Order # Com.	English Description	Description Française	Qty./Qté.	Price/Prix
282	3191802820	LOCKING KNOB	BOUTON DE VERROUILLAGE	1	\$5.69
283	3191802830	WASHER	RONDELLE	1	\$1.84
301	3191803010	OIL SEAL	JOINT D'ETANCHEITE	1	\$21.79
302	3191803020	TAPER ROLLER BEARING	ROULEMENT CONIQUE	1	\$113.45
303	3191803030	BALL BEARING	ROULEMENT A BILLES	1	\$52.84
304	3191803040	SHAFT FOR GEAR	TIGE POUR ENGRENAGE	1	\$91.60
305	3191803050	KEY	CLE DE RETENUE	1	\$2.70
306	3191803060	HELICAL GEAR	ENGRENAGE HELICOIDALE	1	\$257.60
307	3191803070	BALL BEARING	ROULEMENT A BILLES	1	\$29.84
308	3191803080	OUTPUT SHAFT COVER	COUVERCLE POUR TIGE DE SORTIE	1	\$80.10
309	3191803090	CAP SCREW	BOULON A TETE CYLINDRIQUE	4	\$1.90
310	3191803100	CAP SCREW	BOULON A TETE CYLINDRIQUE	4	\$1.84
311	3191803110	INPUT SHAFT COVER	COUVERCLE POUR TIGE D'ENTREE	1	\$63.19
312	3191803120	SPECIAL WASHER	RONDELLE SPECIALE	1	\$3.74
313	3191803130	BALL BEARING	ROULEMENT A BILLES	1	\$73.43
314	3191803140	WORM GEAR SHAFT	TIGE A ENGRENAGE SANS FIN	1	\$257.31
315	3191803150	KEY	CLE DE RETENUE	1	\$3.05
316	3191803160	BALL BEARING	ROULEMENT A BILLES	2	\$33.29
317	3191803170	RETAINING RING/BORE	ANNEAU DE RETENU/ALESAGE	1	\$3.16
318	3191803180	OIL SEAL	JOINT D'ETANCHEITE	1	\$18.34
319	3191803190	DRAIN PLUG	BOUCHON DE DRAIN	1	\$3.28
320	3191803200	GEAR HOUSING	BOITIER DE L'ENGRENAGE	1	\$362.25
321	3191803210	OIL LENS	LENTILLE DE VISIONNEMENT	1	\$3.74
322	3191803220	OIL FILL CAP	CAPUCHON DE REMPLISSAGE	1	\$8.34
323	3191803230	KEY	CLE DE RETENUE	1	\$4.89
901	3191809010	CONTACTOR (FOR 550V, 110V COIL)	CONTACTEUR (POUR 550V, BOBINE 110V)	1	\$195.44
903	3191809030	OVERLOAD (FOR 550V)	RELAIS DE SURCHARGE (POUR 550V)	1	\$132.25
	319180MENG	ENGLISH MANUAL KC-918S-V	MANUEL ANGLAIS KC-918S-V	1	\$15.00